



ITM

XFLUTE

M35 CO-TIAlN COATING
FAST SPIRAL STEP DRILL

"ANYTHING THAT MAKES A HOLE"®


NEW!



TiAlN COATING


**4-FLUTES
135° S.P.
M35 COBALT**

BUY ANY 12 PCS. AND GET 10% OFF.
(X-FLUTE ONLY)



1/8"
5/32"
3/16"
7/32"
1/4"
9/32"
5/16"
11/32"
3/8"
13/32"
7/16"
15/32"
1/2"

Part# XSTP-01
13 Steps 1/8" - 1/2"
List \$55.49



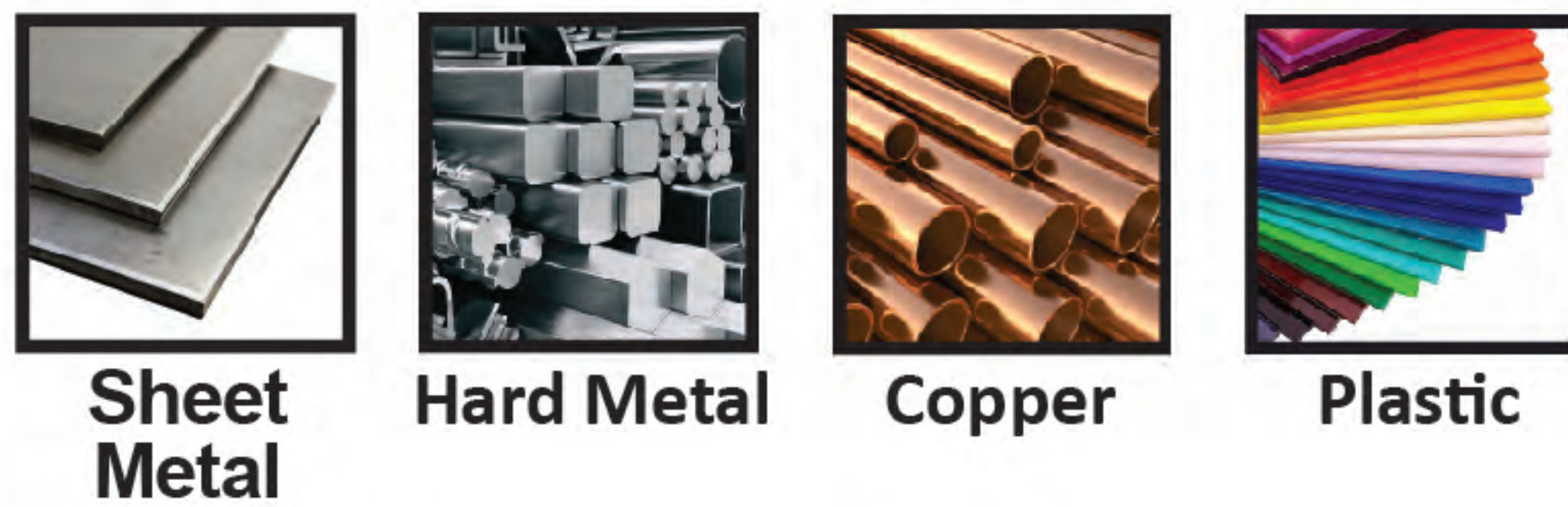
1/4"
5/16"
3/8"
7/16"
1/2"
9/16"
5/8"
11/16"
3/4"

Part# XSTP-03
9 Steps 1/4" - 3/4"
List \$67.18



3/16"
1/4"
5/16"
3/8"
7/16"
1/2"
9/16"
5/8"
11/16"
3/4"
13/16"
7/8"

Part# XSTP-04
12 Steps 3/16" - 7/8"
List \$86.39



- 1/4" HEX Impact Shank
- 4 Flute Fast Spiral Design
- Cobalt with Titanium Aluminum Nitride (TiAlN) Coating



LONGER LIFE

HARD MATERIALS

NEW PACKAGING!

M2 HSS FAST SPIRAL

"ANYTHING THAT MAKES A HOLE"[®]



Part# 274MC0001
13 Steps 1/8" - 1/2"
List \$48.40

1/8"
5/32"
3/16"
7/32"
1/4"
9/32"
5/16"
11/32"
3/8"
13/32"
7/16"
15/32"
1/2"



Part# 274MC0002
6 Steps 3/16" - 1/2"
List \$47.13

3/16"
1/4"
5/16"
3/8"
7/16"
1/2"



Part# 274MC0003
10 Steps 3/16" - 3/4"
List \$58.60

3/16"
1/4"
5/16"
3/8"
7/16"
1/2"
9/16"
5/8"
11/16"
3/4"



Part# 274MC0004
12 Steps 3/16" - 7/8"
List \$65.53

3/16"
1/4"
5/16"
3/8"
7/16"
1/2"
9/16"
5/8"
11/16"
3/4"
13/16"
7/8"



Part# 274MC0005
12 Steps 7/16" - 1-1/8"
List \$93.31

7/16"
1/2"
9/16"
5/8"
11/16"
3/4"
13/16"
7/8"
15/16"
1"
1-1/16"
1-1/8"



Part# 274MC0006
11 Steps 3/4" - 1-3/8"
List \$124.40

3/4"
13/16"
7/8"
15/16"
1-1/16"
1"
1-1/8"
1-3/16"
1-1/4"
1-5/16"
1-3/8"



Part# 274MC0007
3 Steps 3/8" - 3/4"
List \$76.36

3/8"
7/16"
3/4"



Part# 274MC0008
2 Steps 7/8" - 1-1/8"
List \$91.09

7/8"
1-1/8"

7/8" hole for 1/2" conduit.
1-1/8" hole for 3/4" conduit.



Part# 274MC0009
5 Steps 7/8" - 1-3/8"
List \$109.45

7/8"
1-1/8"
1-7/32"
1-1/4"
1-3/8"

1-7/32" for oil tight switches.



Part# 274MC0011
11 Steps 3/16" - 1-3/8"
List \$135.06

ENHANCED THE BIG 11
One Size Fits All

3/16"
1/4"
3/8"
1/2"
5/8"
3/4"
7/8"
1"
1-1/8"
1-1/4"
1-3/8"

M2 HSS FAST SPIRAL



IMPACT
1/4" HEX IMPACT SHANK



Part# 274HEX01
13 Steps 1/8" - 1/2"
List \$48.04

1/8"
5/32"
3/16"
7/32"
1/4"
9/32"
5/16"
11/32"
3/8"
13/32"
7/16"
15/32"
1/2"



Part# 274HEX02
6 Steps 3/16" - 1/2"
List \$46.78

3/16"
1/4"
5/16"
3/8"
7/16"
1/2"



Part# 274HEX03
10 Steps 3/16" - 3/4"
List \$58.16

3/16"
1/4"
5/16"
3/8"
7/16"
1/2"
9/16"
5/8"
11/16"
3/4"



Sheet Metal
Metal
Copper
Plastic




Part# 274HEX04
12 Steps 3/16" - 7/8"
List \$74.80

3/16"
1/4"
5/16"
3/8"
7/16"
1/2"
9/16"
5/8"
11/16"
3/4"
13/16"
7/8"



Part# 274HEX05
12 Steps 7/16" - 1-1/8"
List \$106.51

7/16"
1/2"
9/16"
5/8"
11/16"
3/4"
13/16"
7/8"
15/16"
1"
1-1/16"
1-1/8"



Part# 274HEX08
2 Steps 7/8" - 1-1/8"
List \$103.98

7/8"
1-1/8"

7/8" hole for 1/2" conduit.
1-1/8" hole for 3/4" conduit.

- 3/8" HEX or 1/4" HEX
- M2 HSS
- 2 Flute Fast Spiral
- Self Starting
- 135° Split Point



IMPACT DRIVER
1/2" DRILL



NEW!

REDLINE



IMPACT
1/4" HEX IMPACT SHANK

M2 HSS STEP DRILL



Part# FXT-01
13 Steps 1/8" - 1/2"
List \$50.44

1/8"
5/32"
3/16"
7/32"
1/4"
9/32"
5/16"
11/32"
3/8"
13/32"
7/16"
15/32"
1/2"



Part# FXT-02
6 Steps 3/16" - 1/2"
List \$49.12

3/16"
1/4"
5/16"
3/8"
7/16"
1/2"



Part# FXT-03
9 Steps 1/4" - 3/4"
List \$61.07

1/4"
5/16"
3/8"
7/16"
1/2"
9/16"
5/8"
11/16"
3/4"



Part# FXT-04
12 Steps 3/16" - 7/8"
List \$78.54

3/16"
1/4"
5/16"
3/8"
7/16"
1/2"
9/16"
5/8"
11/16"
3/4"
13/16"
7/8"



Part# FXT-05
12 Steps 7/16" - 1-1/8"
List \$111.84

7/16"
1/2"
9/16"
5/8"
11/16"
3/4"
13/16"
7/8"
15/16"
1"
1-1/16"
1-1/8"



Part# FXT-08
2 Steps 7/8" - 1-1/8"
List \$109.18

7/8"
1-1/8"

7/8" hole for 1/2" conduit.
1-1/8" hole for 3/4" conduit.

METAL

**SPIRAL FLUTE
TiAlN COATING**